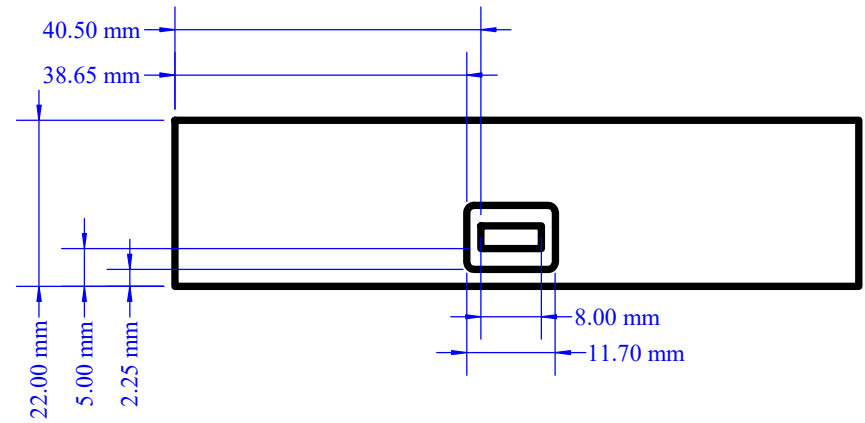
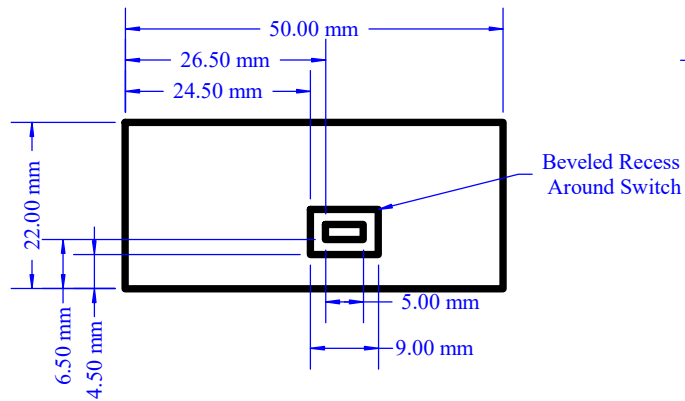


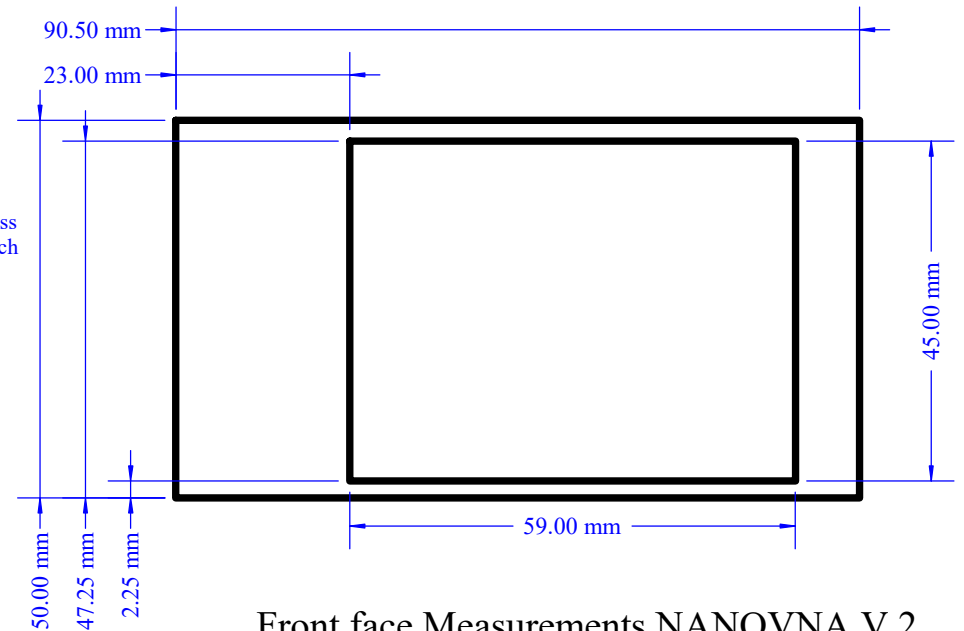
Top side Measurements NANOVNA V.2



Bottom side Measurements NANOVNA V.2



Right side Measurements NANOVNA V.2



Front face Measurements NANOVNA V.2